

ALL DIMENSIONS ARE IN MILLIMETERS

MATERIAL:

N/A

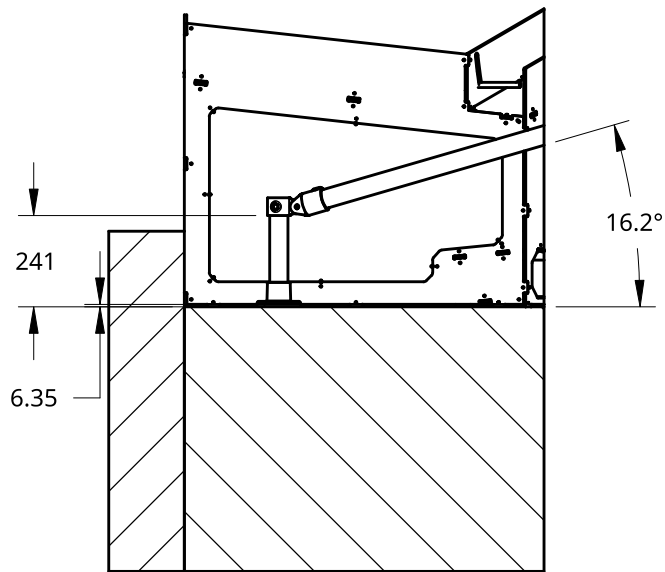
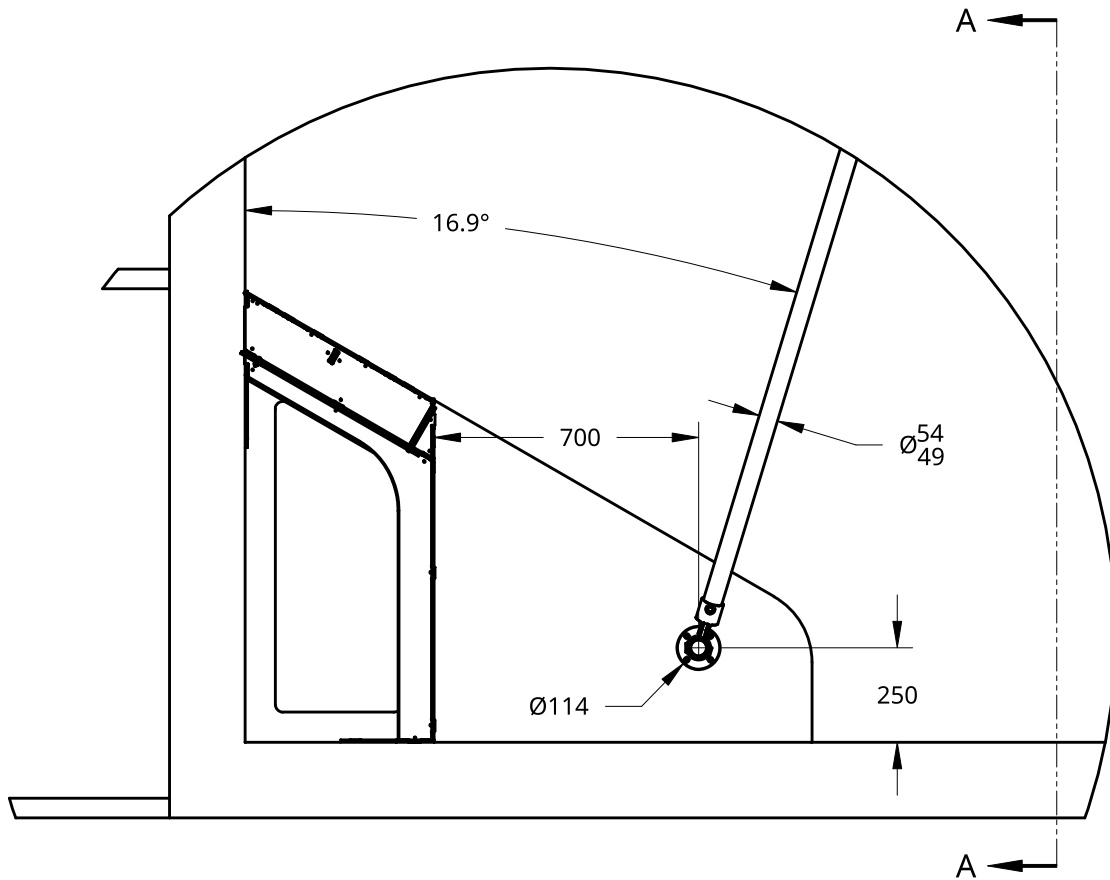
FINISH:

N/A

DATE:

5/8/2026

BRACES



SECTION A - A

ALL DIMENSIONS ARE IN MILLIMETERS

MATERIAL:

N/A

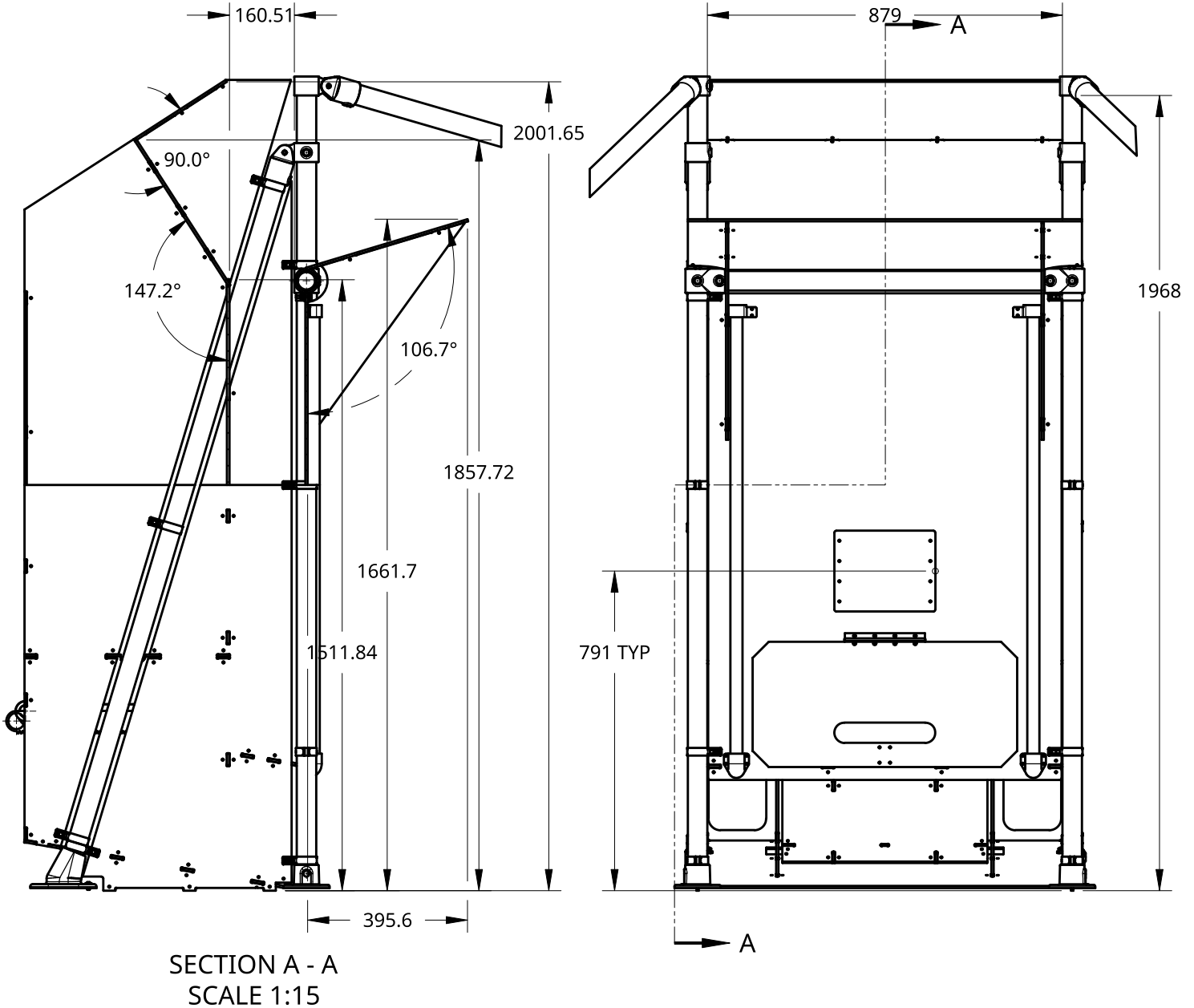
FINISH:

N/A

DATE:

5/8/2026

EXTINGUISHER AND BRACE



FIELD ELEMENT SITS ON TOP OF
6.35mm THICK TEXTURED HDPE

HEIGHT DIMENSIONS MEASURED
FROM CARPET FLOOR

ALL DIMENSIONS ARE IN MILLIMETERS

MATERIAL:

N/A

FINISH:

N/A

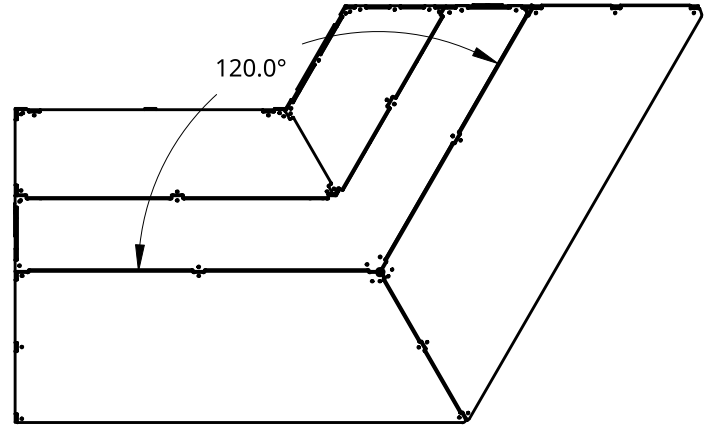
DATE:

5/8/2026

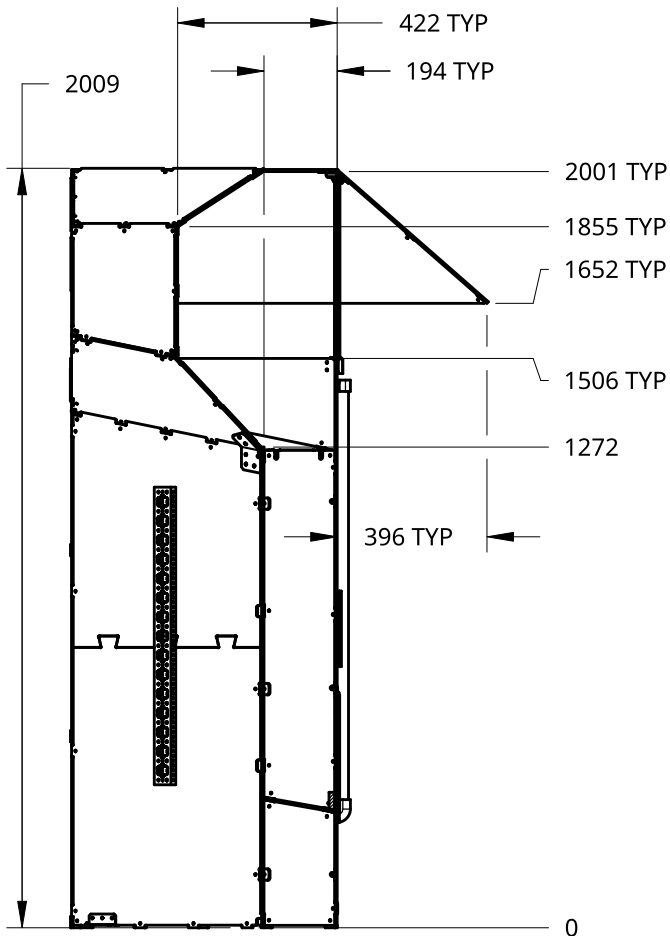
SUPPRESSION UNIT

FIELD ELEMENT SITS ON TOP OF
6.35mm THICK TEXTURED HDPE

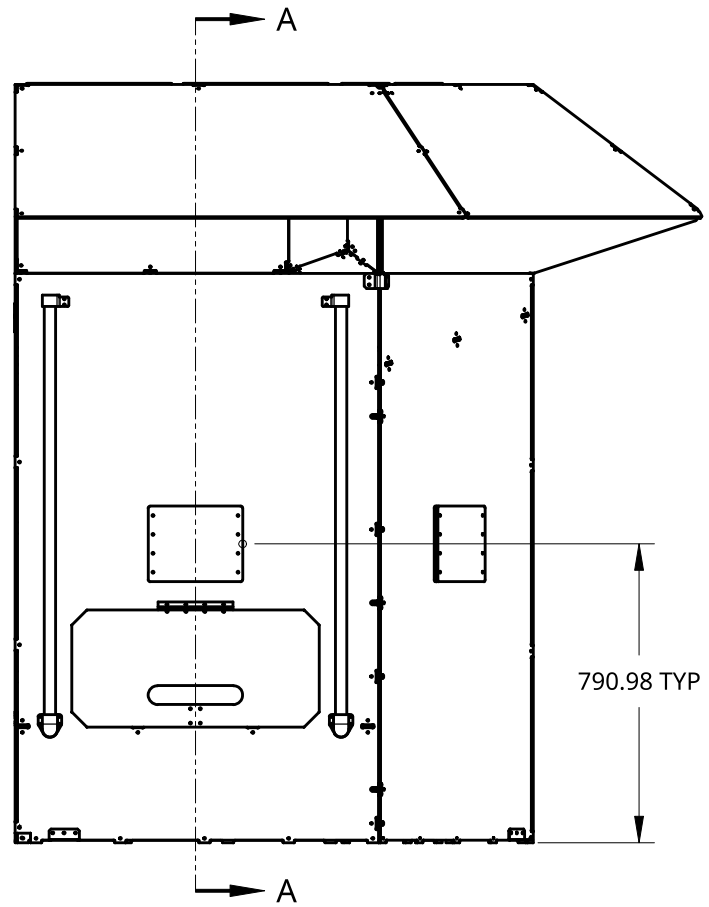
HEIGHT DIMENSIONS MEASURED
FROM CARPET FLOOR



SCALE 1:20



SECTION A - A
SCALE 1:20



SCALE 1:20

ALL DIMENSIONS ARE IN MILLIMETERS

MATERIAL:

N/A

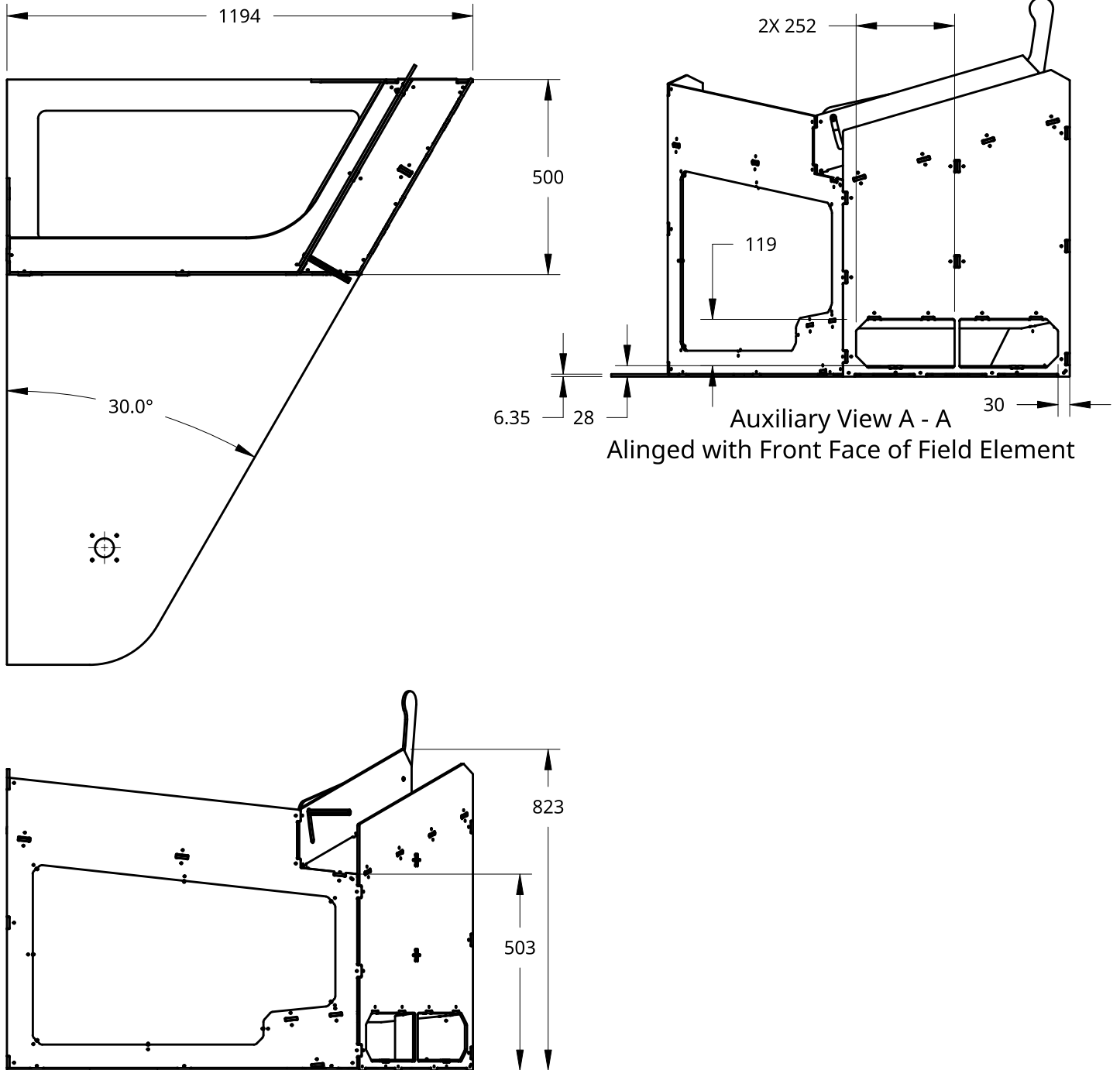
FINISH:

N/A

DATE:

5/8/2026

FIRE SHIELD



ALL DIMENSIONS ARE IN MILLIMETERS

MATERIAL:

N/A

FINISH:

N/A

DATE:

5/8/2026



ALL DIMENSIONS ARE IN MILLIMETERS

MATERIAL: High-Density Foam Shore
Hardness 10A-20A

FINISH: Glossy

DATE: 5/8/2026