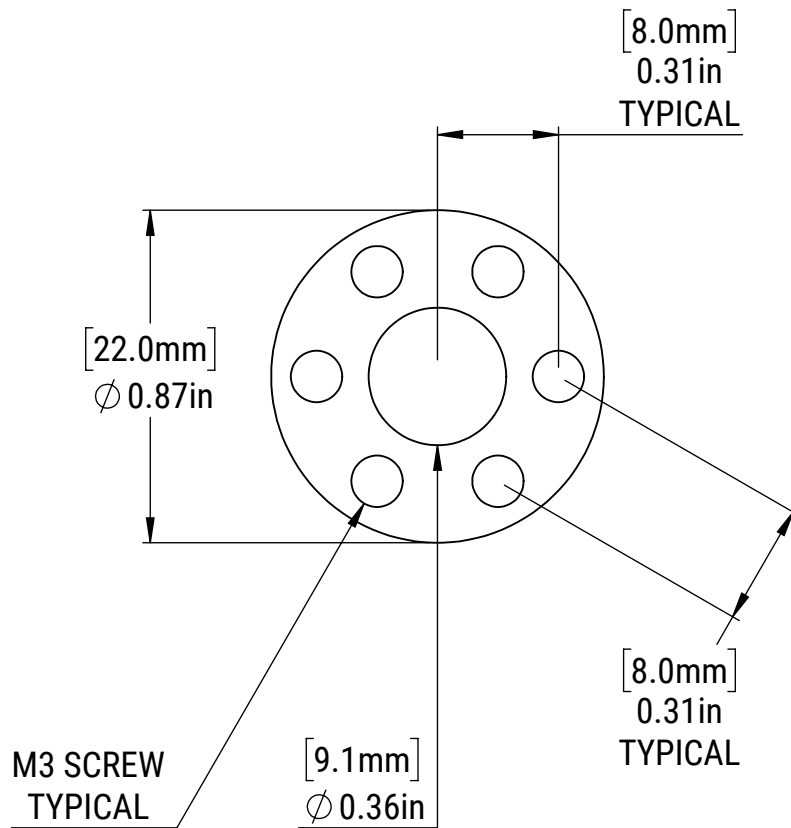


MOTION PATTERN SPACER



MM SHEET TOLERANCES:

X \pm 0.50 MM
X.X \pm 0.10 MM
X.XX \pm 0.05 MM
ANGLES \pm 2°

INCH SHEET TOLERANCES:

X \pm 0.1 IN
X.X \pm 0.02 IN
X.XX \pm 0.004 IN
X.XXX \pm 0.002 IN
ANGLES \pm 2°

MATERIAL:

6061-T6 ALUMINUM
0.098"/2mm

DATE: 7/16/2020