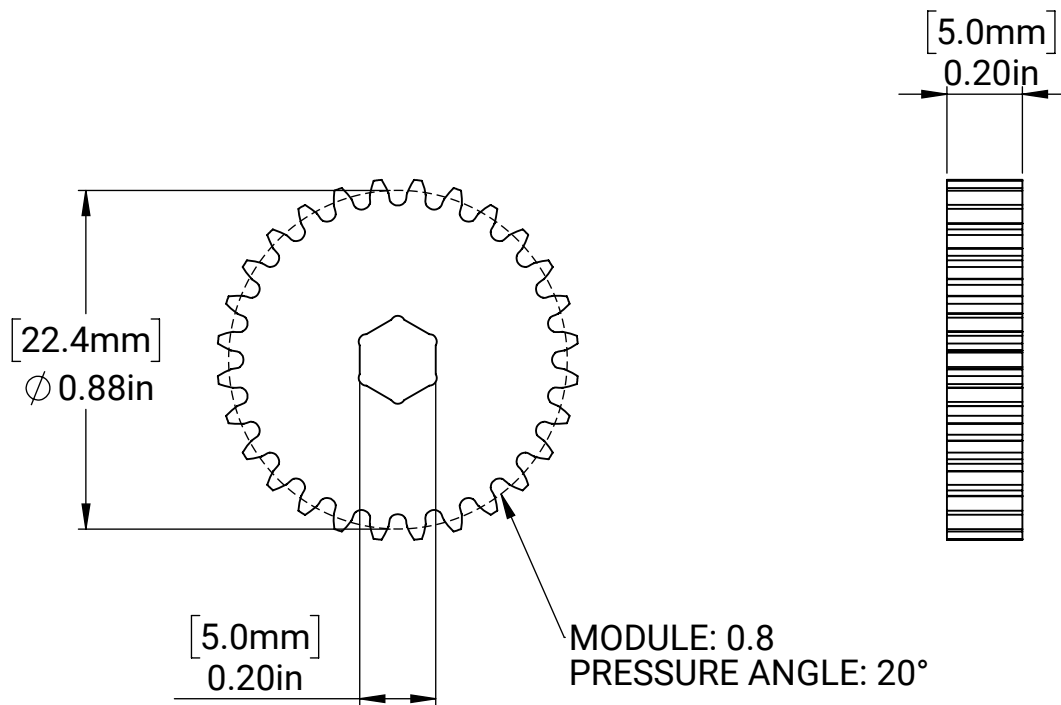


28 TOOTH METAL GEAR



MM SHEET TOLERANCES:

$X \pm 0.50 \text{ MM}$
 $X.X \pm 0.10 \text{ MM}$
 $X.XX \pm 0.05 \text{ MM}$
 ANGLES $\pm 2^\circ$

INCH SHEET TOLERANCES:

$X \pm 0.1 \text{ IN}$
 $X.X \pm 0.02 \text{ IN}$
 $X.XX \pm 0.004 \text{ IN}$
 $X.XXX \pm 0.002 \text{ IN}$
 ANGLES $\pm 2^\circ$

MATERIAL:

7075-T6 ALUMINUM

DATE: 7/23/2020