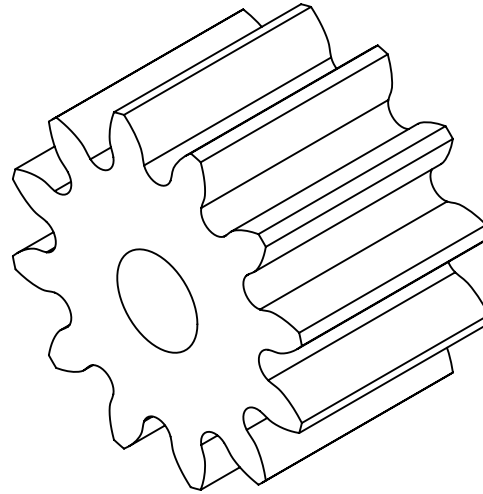
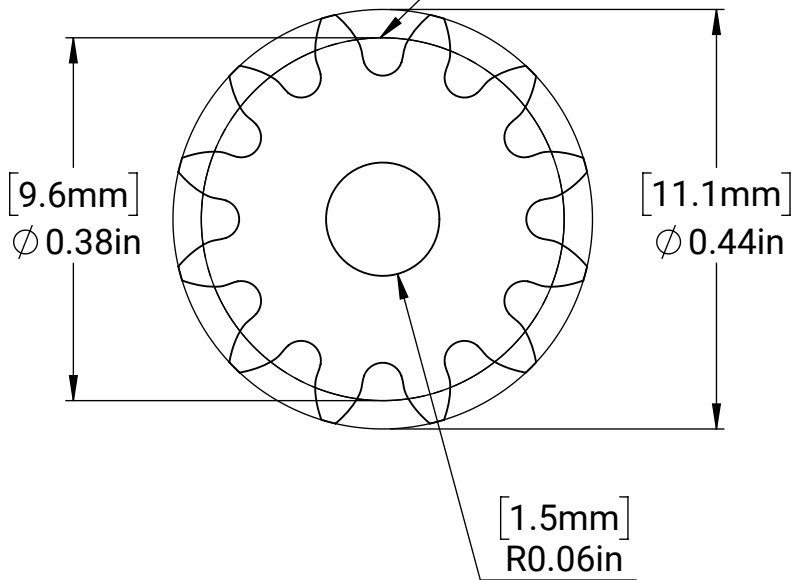


12 TOOTH METAL PINION GEAR



12 TOOTH  
MODULE: 0.8  
PRESSURE ANGLE: 20°



MM SHEET TOLERANCES:  
X  $\pm$  0.50 MM  
X.X  $\pm$  0.10 MM  
X.XX  $\pm$  0.05 MM  
ANGLES  $\pm$  2°

INCH SHEET TOLERANCES:  
X  $\pm$  0.1 IN  
X.X  $\pm$  0.02 IN  
X.XX  $\pm$  0.004 IN  
X.XXX  $\pm$  0.002 IN  
ANGLES  $\pm$  2°

MATERIAL:

**BRASS**

DATE: 7/31/2020