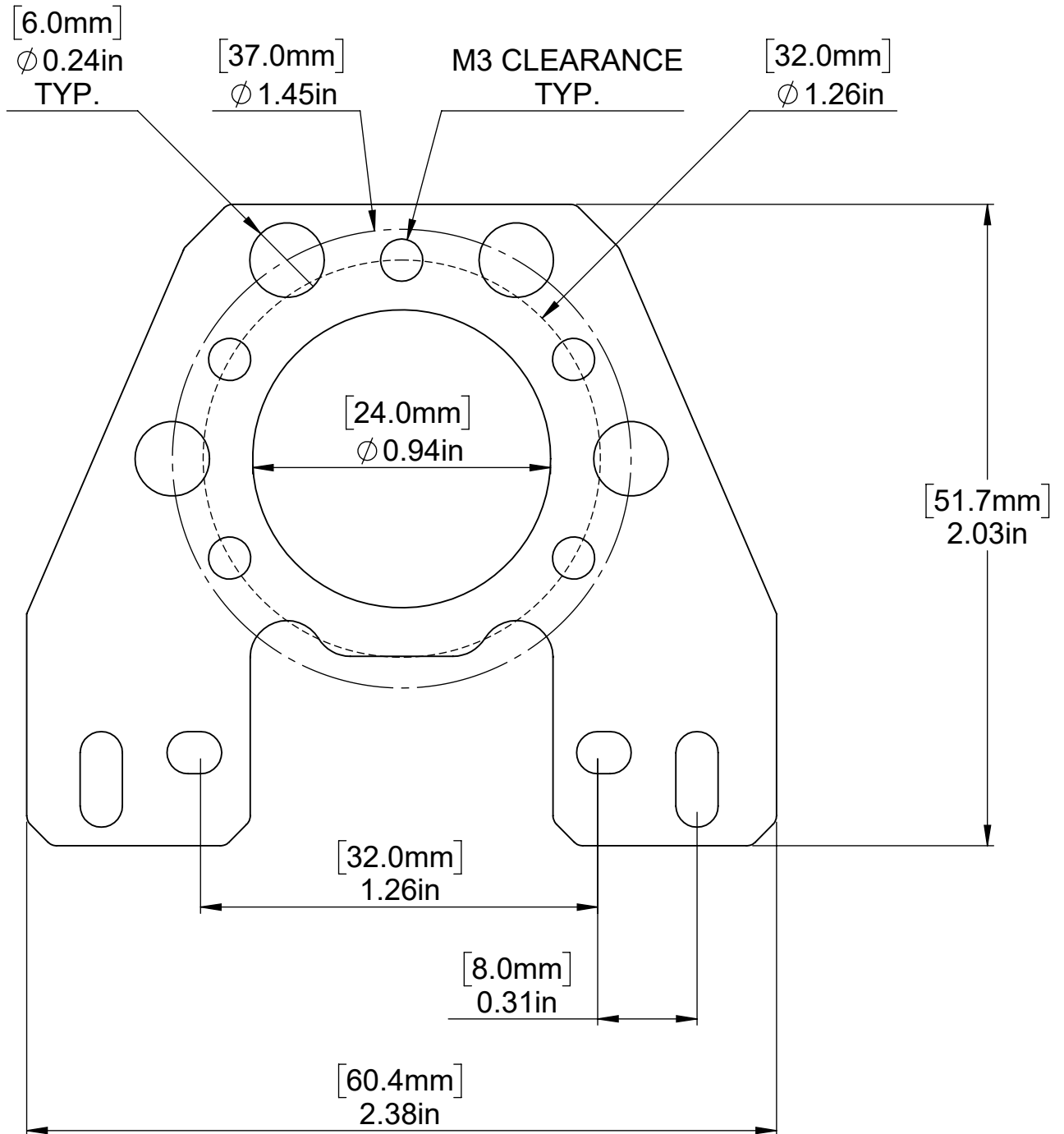


ULTRAPLANETARY FLAT MOUNTING BRACKET



MM SHEET TOLERANCES:  
 X ± 0.50 MM  
 X.X ± 0.10 MM  
 X.XX ± 0.05 MM  
 ANGLES ± 2°

INCH SHEET TOLERANCES:  
 X ± 0.1 IN  
 X.X ± 0.02 IN  
 X.XX ± 0.004 IN  
 X.XXX ± 0.002 IN  
 ANGLES ± 2°

MATERIAL:

5052 ALUMINUM  
 3MM THICK

DATE: 6/28/2021