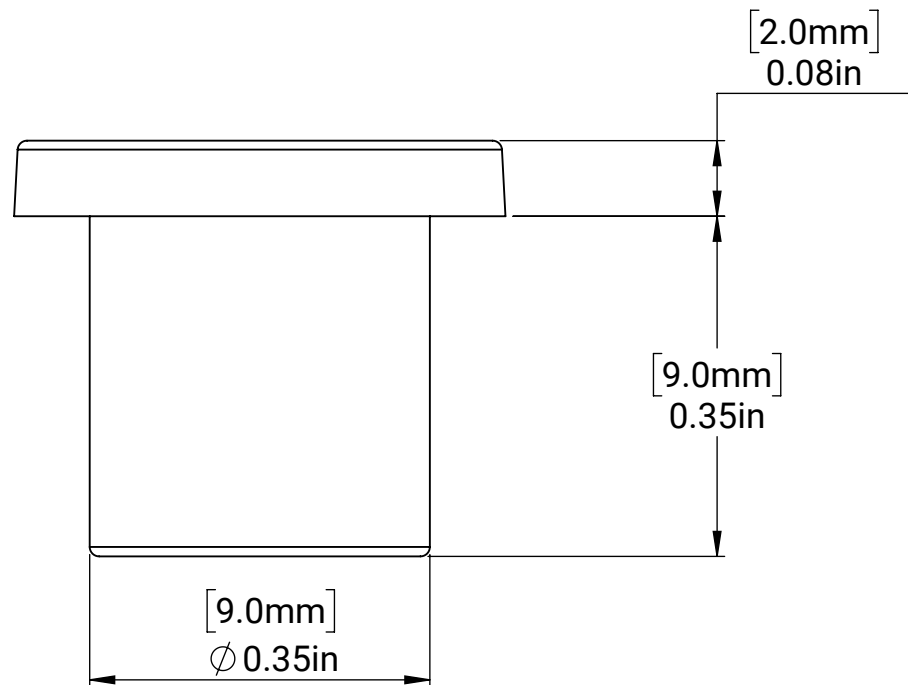
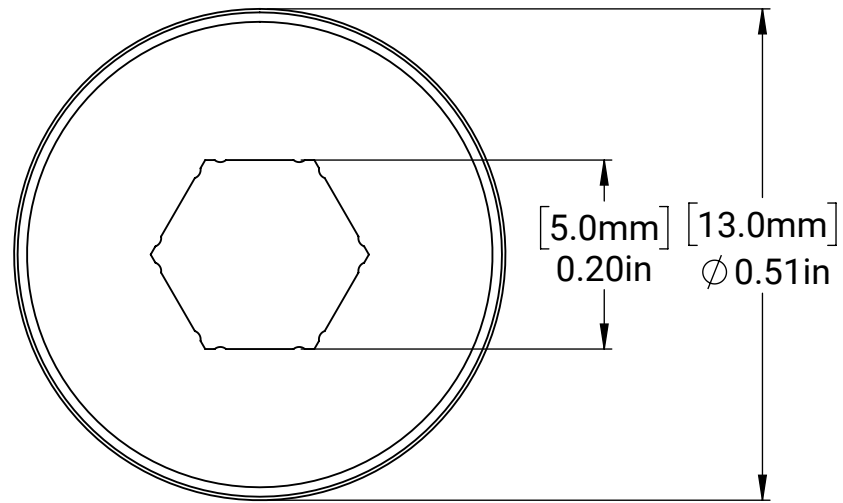


THROUGH BORE BEARING - LONG



MM SHEET TOLERANCES:
 $X \pm 0.50\text{ MM}$
 $X.X \pm 0.10\text{ MM}$
 $X.XX \pm 0.05\text{ MM}$
 ANGLES $\pm 2^\circ$

INCH SHEET TOLERANCES:
 $X \pm 0.1\text{ IN}$
 $X.X \pm 0.02\text{ IN}$
 $X.XX \pm 0.004\text{ IN}$
 $X.XXX \pm 0.002\text{ IN}$
 ANGLES $\pm 2^\circ$

MATERIAL:
ACETAL

DATE: 7/31/2020