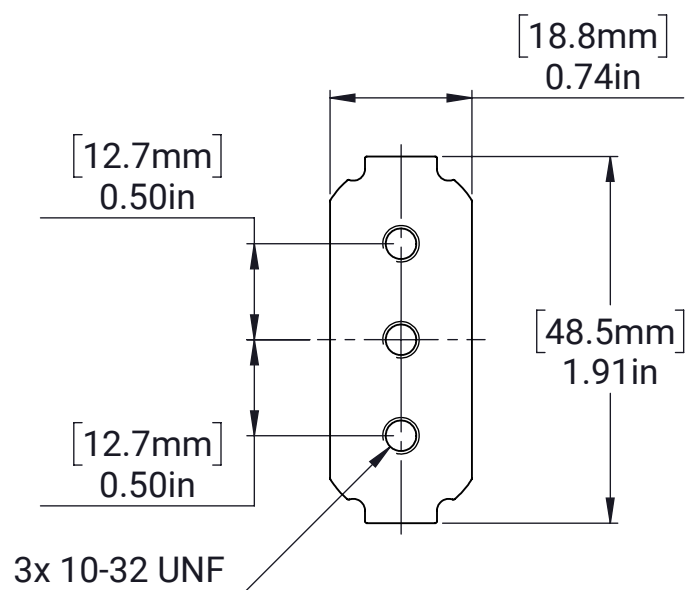
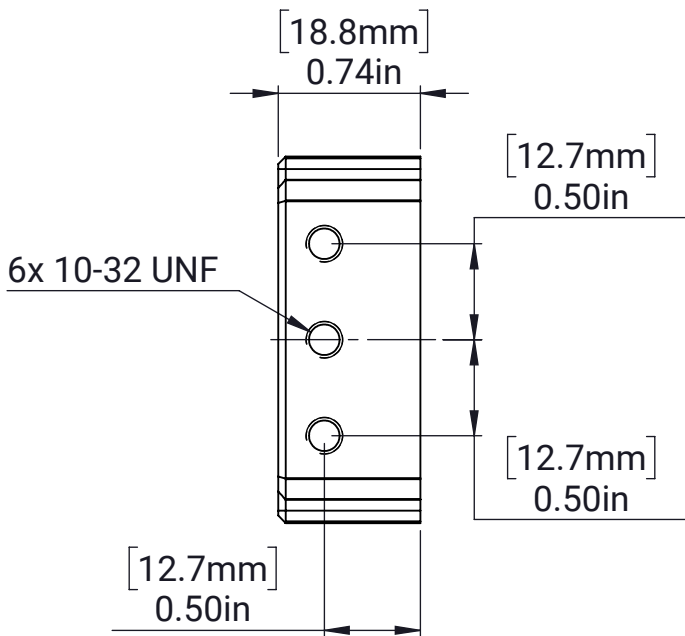
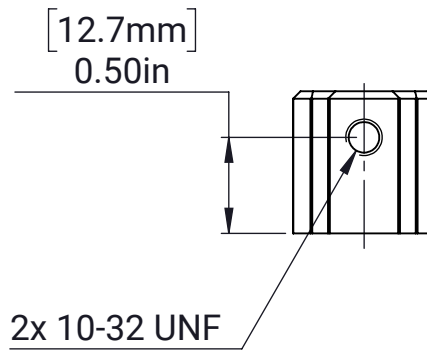
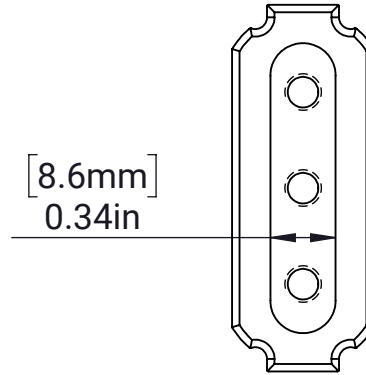
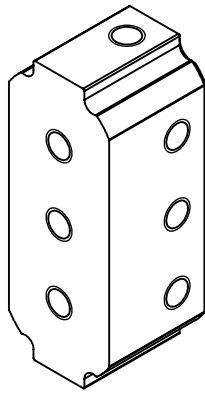


MAXTube Endcap - 2x1



MATERIAL:

Aluminum 6061

FINISH:

Black Anodized

DATE:

11/10/2022