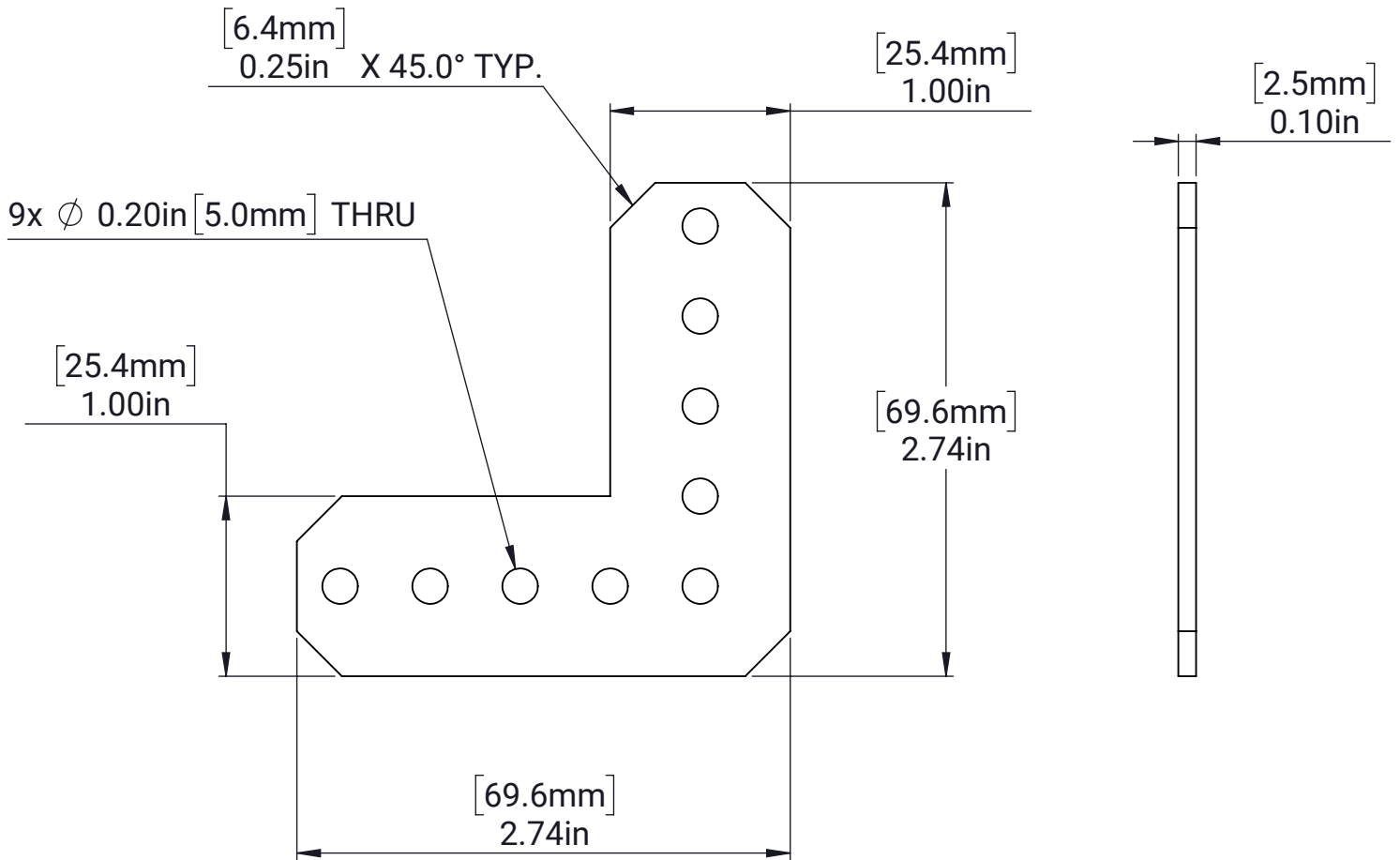


Plate Bracket, 90deg, Sharp Interior



MATERIAL:

Aluminum 5052

FINISH:

Plain

DATE:

9/22/2021