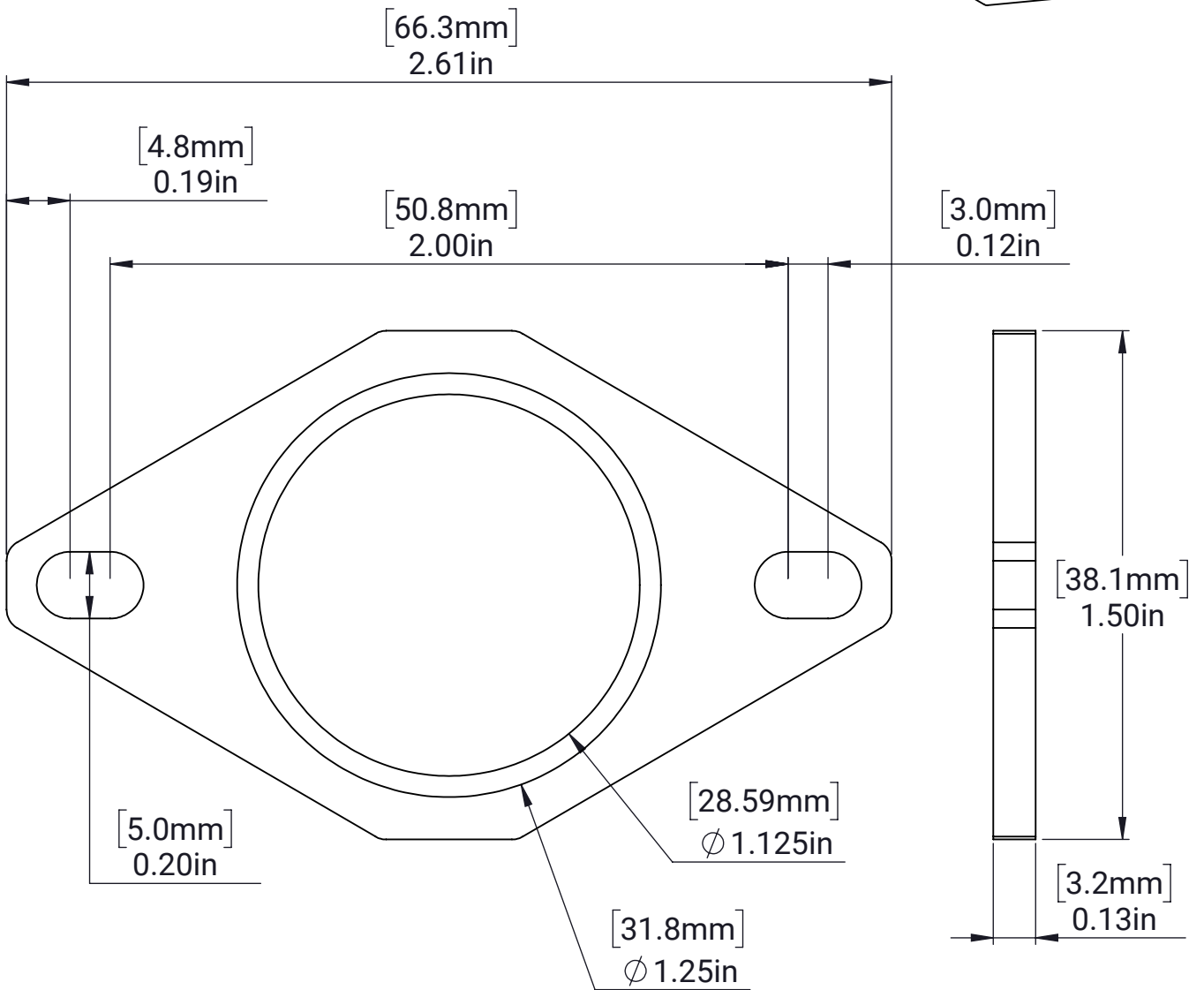
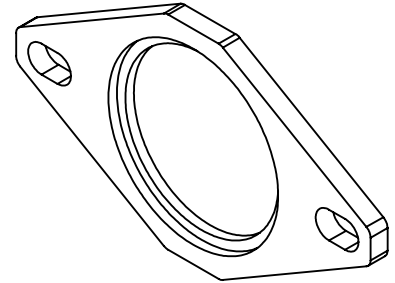


Bearing Retaining Plate



MATERIAL:

Glass-Filled Nylon

FINISH:

N/A

DATE:

12/15/2022