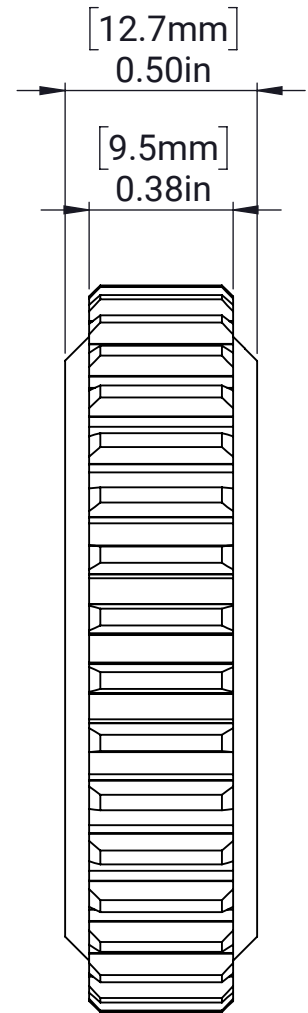
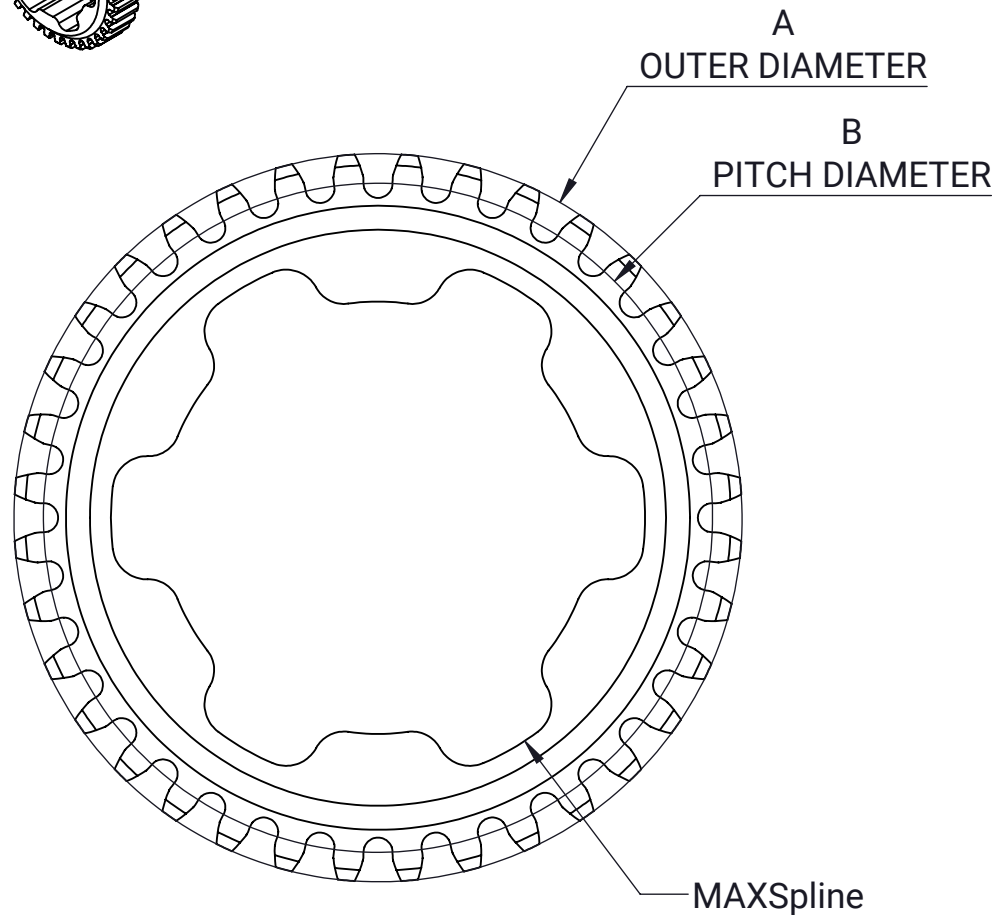
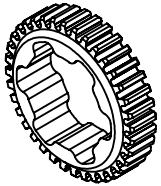


20DP Gear - MAXSpline - Small

Part #	Outer Diameter (A)	Pitch Diameter (B)	Teeth
REV-21-3010	[43.2mm] 1.70in	[40.6mm] 1.60in	32
REV-21-3011	[45.7mm] 1.80in	[43.2mm] 1.70in	34
REV-21-3012	[48.3mm] 1.90in	[45.7mm] 1.80in	36
REV-21-3013	[50.7mm] 2.00in	[48.3mm] 1.90in	38
REV-21-3014	[53.3mm] 2.10in	[50.8mm] 2.00in	40
REV-21-3015	[55.8mm] 2.20in	[53.3mm] 2.10in	42



MATERIAL:

Steel 4140

FINISH:

Black Oxide

DATE:

12/10/2024