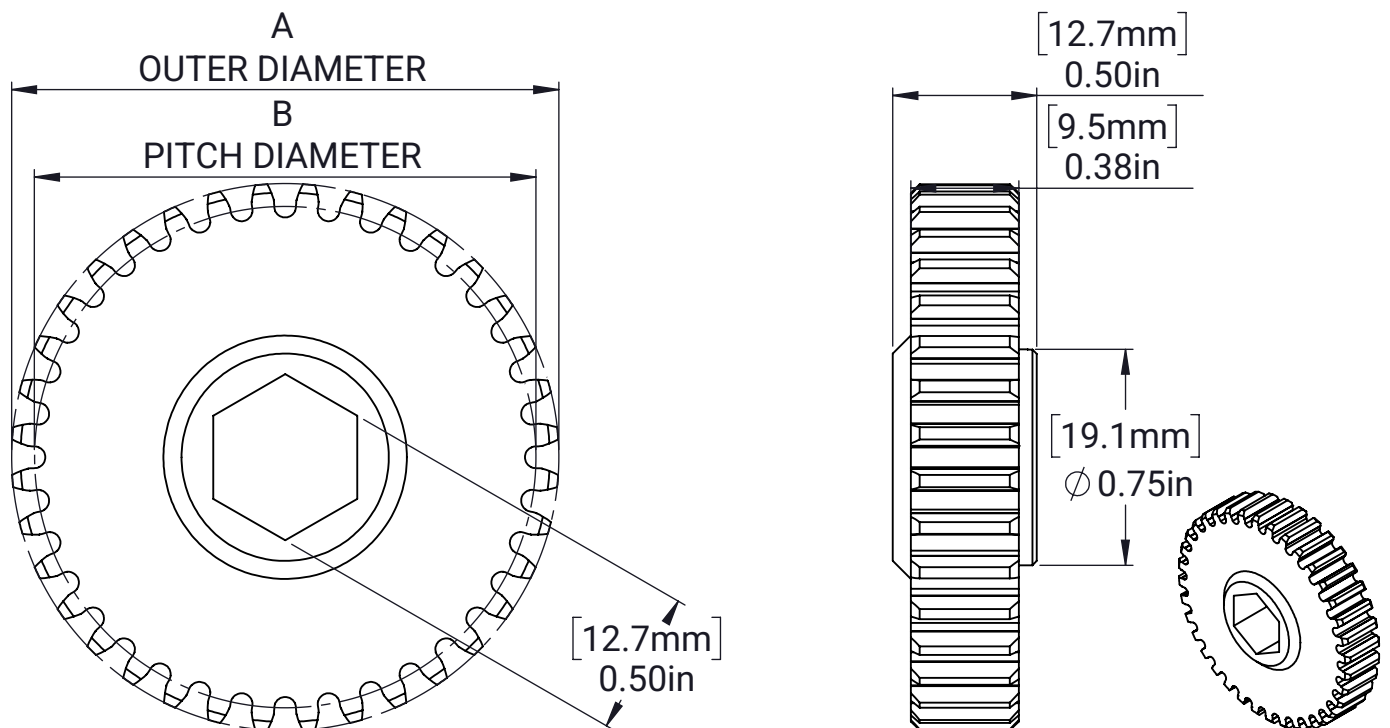


## 20DP Gear - 1/2in Hex (Medium)

Part #	Outer Diameter (A)	Pitch Diameter (B)	Teeth
REV-21-1926	[40.6mm] 1.60in	[38.1mm] 1.50in	30
REV-21-1927	[43.2mm] 1.70in	[40.6mm] 1.60in	32
REV-21-1928	[45.7mm] 1.80in	[43.2mm] 1.70in	34
REV-21-1929	[48.3mm] 1.90in	[45.7mm] 1.80in	36
REV-21-1930	[50.8mm] 2.00in	[48.3mm] 1.90in	38
REV-21-1931	[53.3mm] 2.10in	[50.8mm] 2.00in	40
REV-21-1932	[55.9mm] 2.20in	[53.3mm] 2.10in	42
REV-21-1933	[58.4mm] 2.30in	[55.9mm] 2.20in	44
REV-21-1934	[60.9mm] 2.40in	[58.4mm] 2.30in	46
REV-21-1935	[63.5mm] 2.50in	[60.9mm] 2.40in	48
REV-21-1936	[66.0mm] 2.60in	[63.5mm] 2.50in	50
REV-21-1937	[68.6mm] 2.70in	[66.0mm] 2.60in	52
REV-21-1938	[71.1mm] 2.80in	[68.6mm] 2.70in	54
REV-21-1939	[73.6mm] 2.90in	[71.1mm] 2.80in	56
REV-21-1940	[76.2mm] 3.00in	[73.7mm] 2.90in	58



MATERIAL:

Steel 4140

FINISH:

N/A

DATE:

4/5/2025