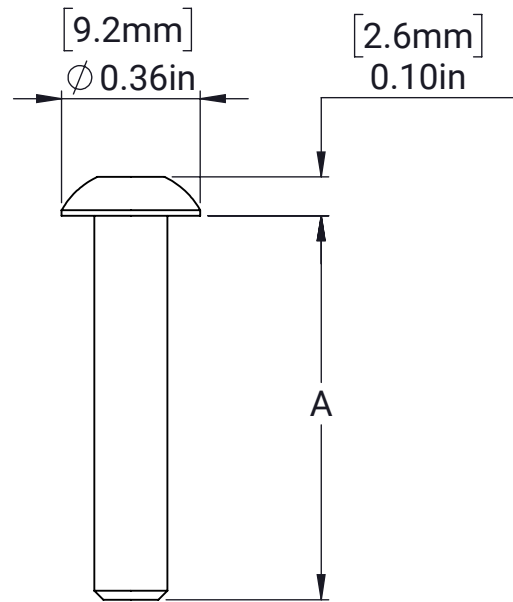
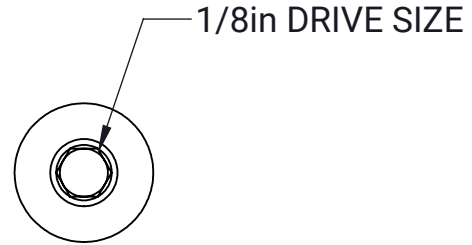


#10-32 Button Head Cap Screws

Part #	Length (A)
REV-29-2939	[6.4mm] 0.25in
REV-29-2940	[7.9mm] 0.31in
REV-29-2941	[9.5mm] 0.38in
REV-29-2943	[12.7mm] 0.50in
REV-29-2945	[15.9mm] 0.63in
REV-29-2947	[19.1mm] 0.75in
REV-29-2951	[25.4mm] 1.00in
REV-29-2953	[31.8mm] 1.25in
REV-29-2955	[38.1mm] 1.50in
REV-29-2956	[41.3mm] 1.63in
REV-29-2957	[44.5mm] 1.75in
REV-29-2959	[50.8mm] 2.00in
REV-29-2960	[57.2mm] 2.25in
REV-29-2961	[63.5mm] 2.50in
REV-29-2962	[69.9mm] 2.75in
REV-29-2963	[76.2mm] 3.00in



MATERIAL:

Alloy Steel

FINISH:

Black Oxide

DATE:

12/9/2024