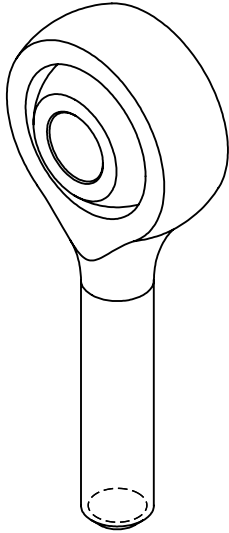
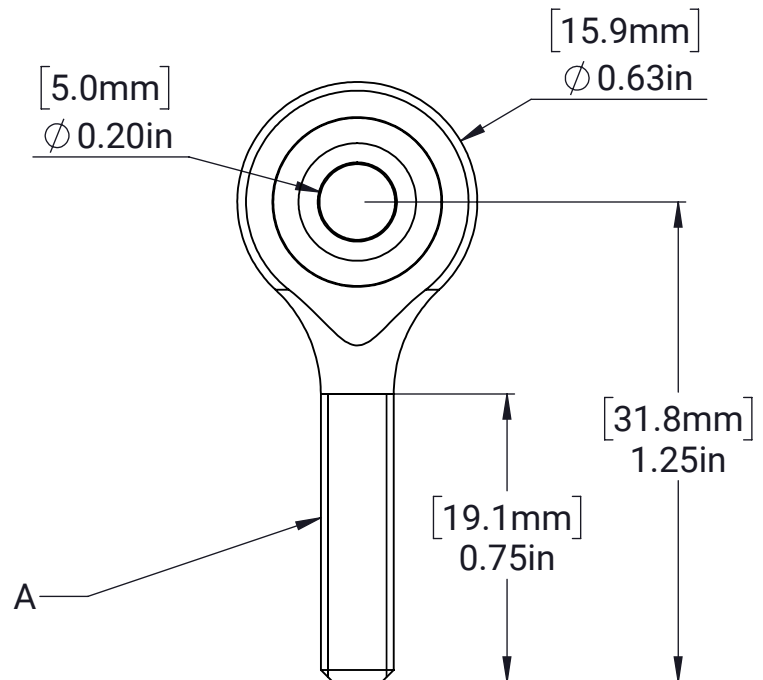
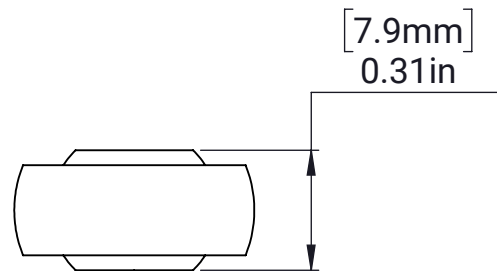


## #10-32 Ball Joint Rod Ends



PART NUMBER	A
REV-21-2596	#10-32 UNF Right Hand
REV-21-2597	#10-32 UNF Left Hand



MATERIAL:

Steel

FINISH:

Zinc Plated

DATE:

11/14/2022