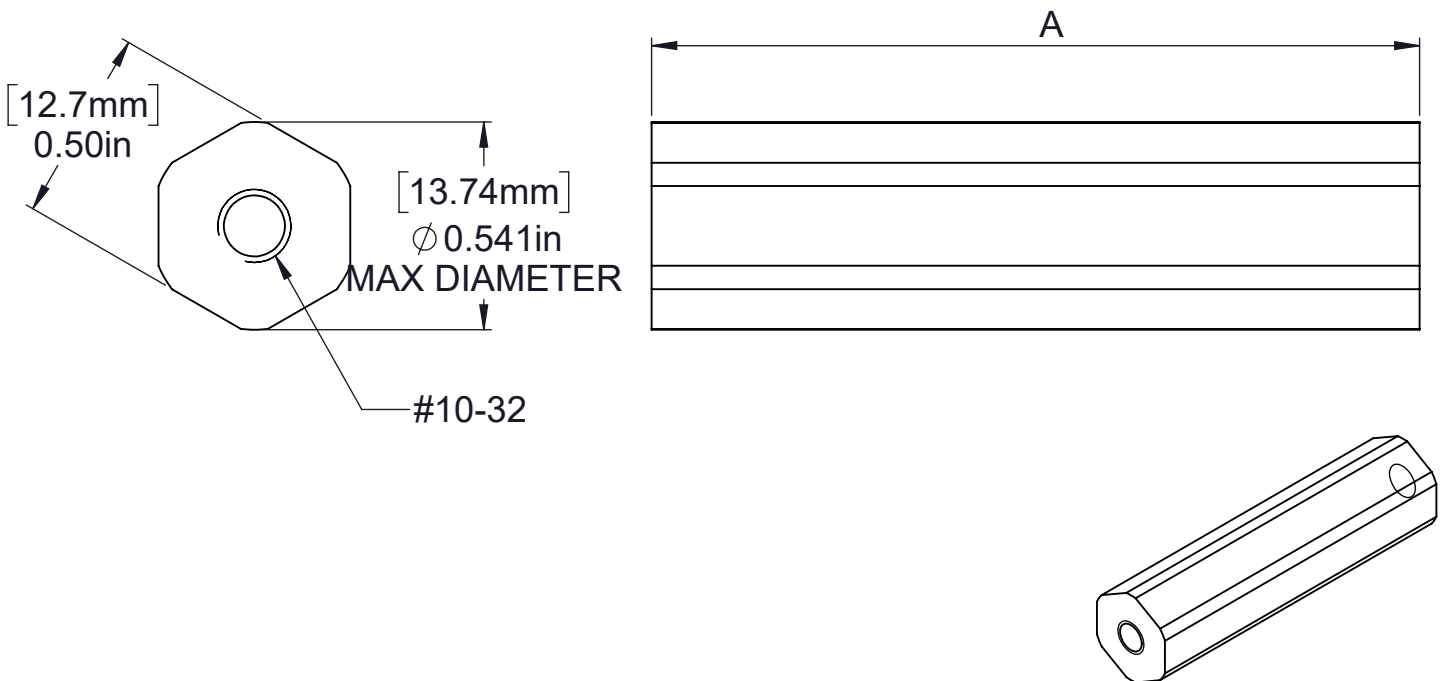


1/2in Rounded Hex Shaft - Tapped

Part #	Length(A)
REV-21-2809	[25.4mm] 1.00in
REV-21-2810	[38.1mm] 1.50in
REV-21-2811	[50.8mm] 2.00in
REV-21-2812	[63.5mm] 2.50in
REV-21-2815	[101.6mm] 4.00in
REV-21-2817	[127.0mm] 5.00in
REV-21-2819	[152.4mm] 6.00in
REV-21-2821	[177.8mm] 7.00in
REV-21-2823	[203.2mm] 8.00in
REV-21-2824	[254.0mm] 10.00in
REV-21-2825	[304.8mm] 12.00in



MATERIAL:

Aluminum 7075

FINISH:

Black Anodized

DATE:

11/28/2023